

## FIREPLACE KIT SYSTEM FROM BRUNNER



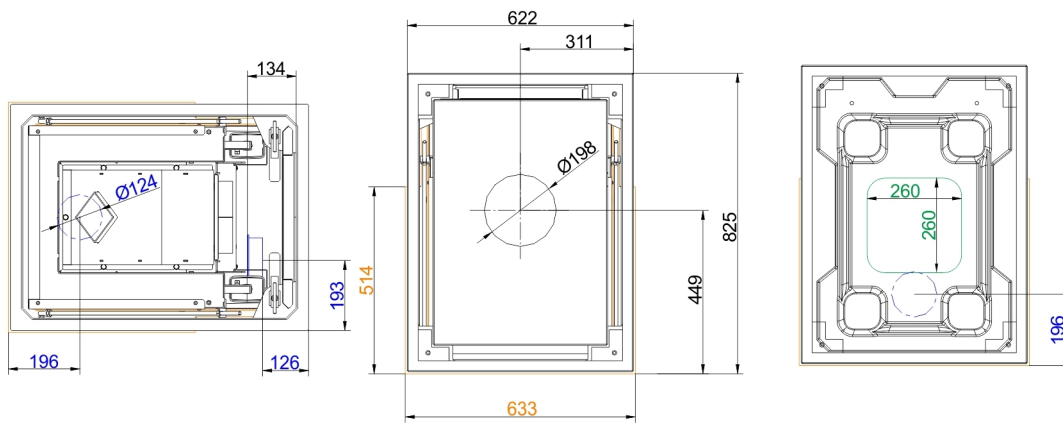
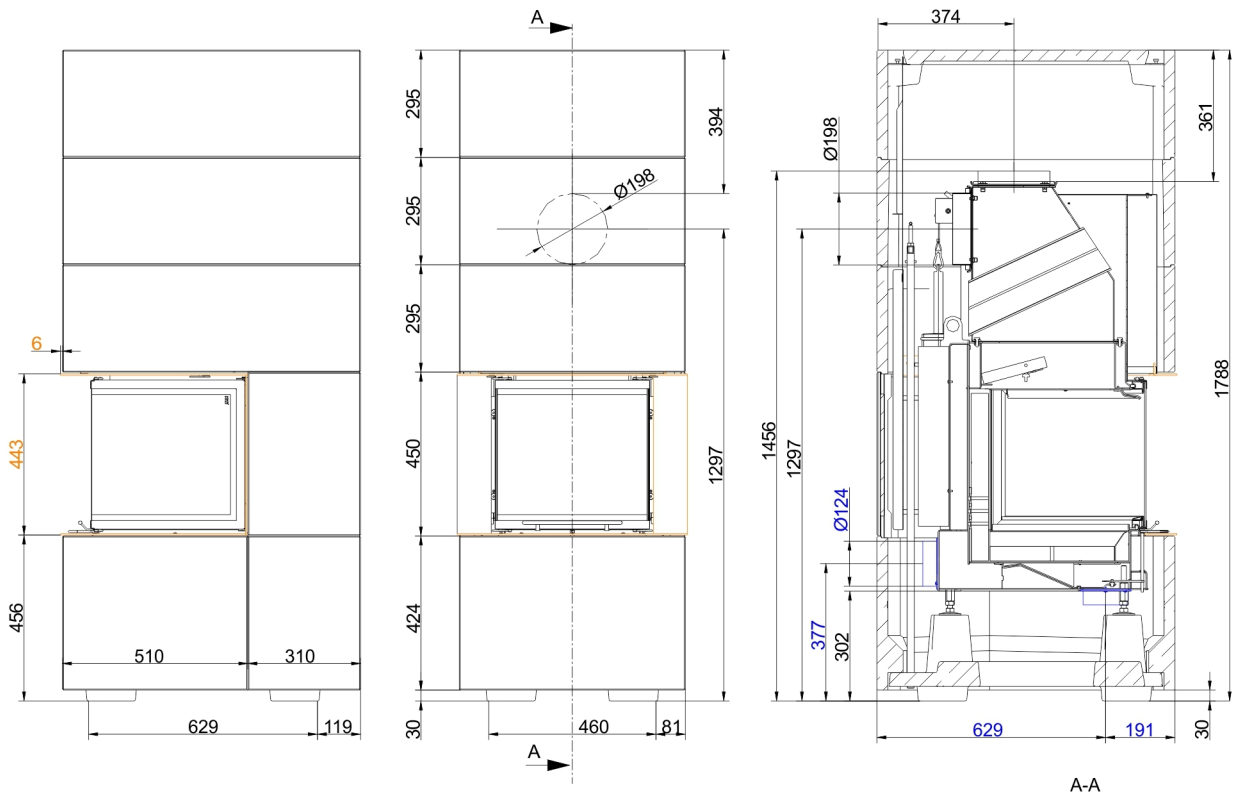
### **BSK 10 with Panorama-Kamin 42/42/42/42**

State: 2018-03-02



**BRUNNER**<sup>®</sup>  
*made in germany.*

# Dimension sheets - BSK 10 with Panorama-Kamin 42/42/42/42



We suggest for CAD planing Palette CAD. Permanent updated drawings: [www.brunner.de](http://www.brunner.de)  
 Frames / front versions are marked colored.

## Planning and installation - BSK 10 with Panorama-Kamin 42/42/42/42

Tested according to		EN 13229
<b>Data for functional demonstration</b>		
Rated heat power	kW	8
Fire wood volume	kg/h	2.5
Flue gas mass flow	g/s	7
Flue gas temperature	g/s	200
Necessary supply pressure <sup>1)</sup>	Pa	12
Combustion air consumption	m <sup>3</sup> /h	22
Combustion air connection Ø	mm	125
<b>Cladding components</b>		
Foot print (W x D)	mm	622 x 825
Overall height	mm	1788
Height of extension ring	mm	295
<b>Minimal distances</b>		
to mounting wall	cm	5
to mounting wall with heat protection panels	cm	0
to combustible mounting wall	cm	10
to combustible mounting wall with heat protection panels	cm	5
from top of fireplace to ceiling	cm	50
<b>Cross-section of gratings <sup>2)</sup></b>		
Convection air	cm <sup>2</sup>	784
Supply air	cm <sup>2</sup>	803
<b>Thermal insulation without / with air gratings</b>		
In ceiling region connection without/with air grate	cm	19 / 14
<b>Weight</b>		
Total weight	kg	481
<b>Meets requirement/limit values for:</b>		
Germany/ Austria / Suisse / Norway	1.BImSchV (Stufe 2) / 15a BvG (2015) / LRV / -	

1) Damper flap recommended

2) Openings for the air