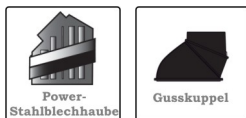
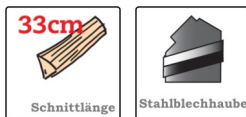


BRUNNER FIREPLACES



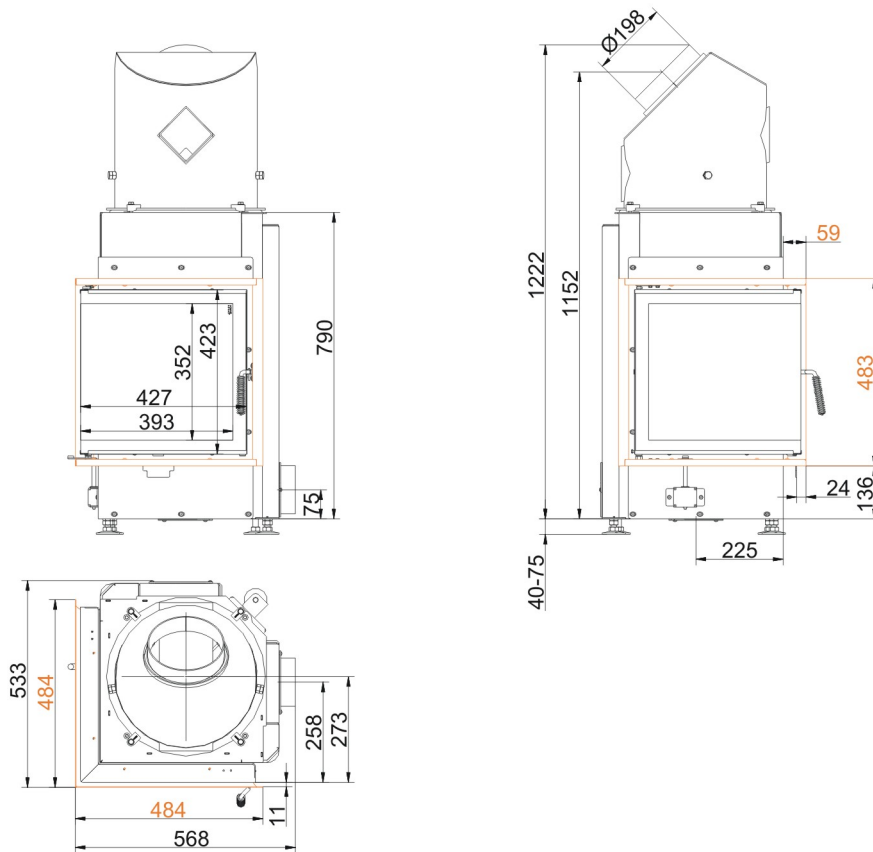
Eck-Kamin 42/42/42 side-opening door

State: 2018-01-24

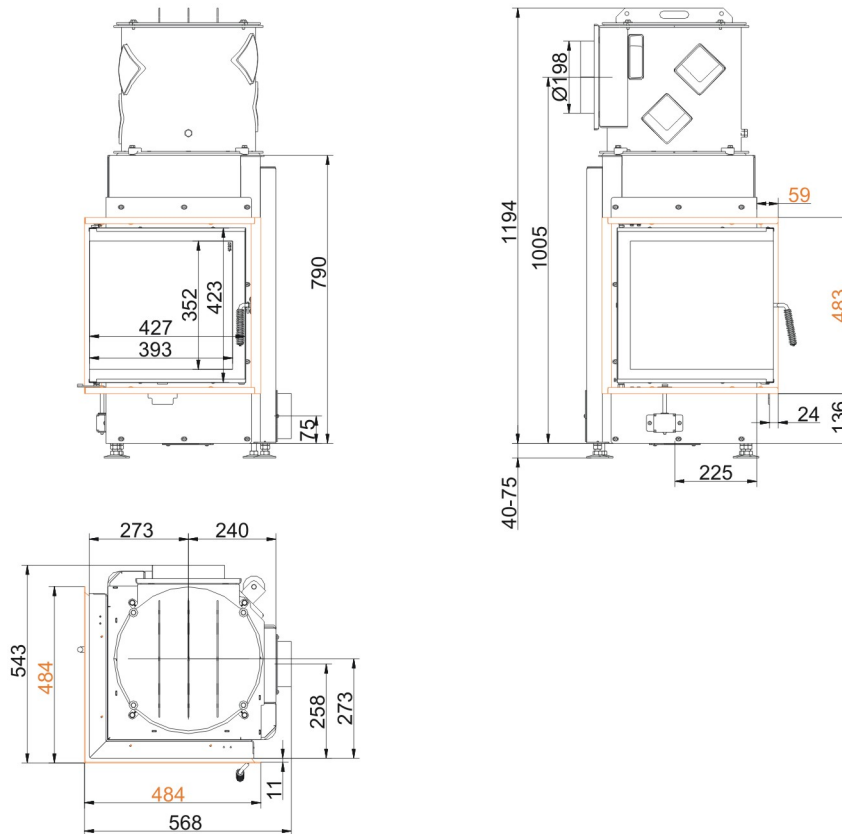


BRUNNER[®]
made in germany.

Dimension sheets - Eck-Kamin 42/42/42 side-opening door



... with door frame



... with steel smoke hood low

We suggest for CAD planing Palette CAD. Permanent updated drawings: www.brunner.de
 Frames / front versions are marked colored.

Planning and installation - Eck-Kamin 42/42/42 side-opening door

Tested according to		EN 13229 W	EN 13229 WA
Values measured at		Rated capacity	Accumulation
Suitable for all construction types according to rules		OK	OK
EEl		112.8	112.8
Data for functional demonstration			
Rated heat power	kW	8	-
Fire wood volume	kg/h	2.7	5
Combustion performance	kW	10	22
Flue gas mass flow	g/s	7.1	21
Outlet temperature (before heating surface)	°C	-	340
Flue gas temperature after:			
attached steel smoke hood	°C	210	246
6 x accumulation rings (MAS) ¹⁾	°C	-	210
1,7 m ceramic accumulator	°C	-	180
1,2 m accumulation stones (MSS) ²⁾	°C	-	180
Necessary supply pressure	Pa	12	15
Combustion air consumption	m ³ /h	28	50
Efficiency	%	80	80
Combustion air connection Ø	mm	125	125
Heat distribution			
Insert / heat accumulator	%	25 / 30	25 / 30
Glass pane (single / double)	%	45 / -	45 / -
Cross-section of gratings ³⁾			
Supply air	cm ²	800 / 100 / -	500 / 100 / 300
Warm air	cm ²	800 / 100 / -	500 / 100 / 300
Minimal oven surface for closed construction type			
Heat dissipating surface	m ²	4	4
Min. distances of fireplace without / with convection casing			
to insulation layer	cm	8	8
to mounting floor	cm	4	4
Thermal insulation without / with air gratings ⁴⁾			
Mounting wall	cm	14 / 12	14 / 12
Floor	cm	2 / 2	2 / 2
Ceiling	cm	16 / 14	16 / 14
Brick lining for combustible wall	cm	10	10
Weight			
Fireplace / combustion room	kg	104 / 37 / -	
Meets requirement/limit values for:			
Germany/ Austria / Suisse / Norway		1.BImSchV (Stufe 2) / 15a BVG (2015) / LRV / NS 3059	

- 1) Damper flap recommended
- 2) Approximate value. Proof of function provided by calculation required
- 3) for fireplace inserts / flue gas pipe / metallic reheating surface
- 4) Values determined with upper air sections; stove cladding is heat emitting.