

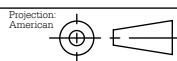
\* = Optional air inlet  $\varnothing$ 125 mm rear side  
 \*\* = Optional air inlet  $\varnothing$ 125 mm bottom side

**barbas**

Barbas Bellfires B.V.  
 Hallenstraat 17  
 5531 AB Bladel  
 The Netherlands  
 www.barbasbellfires.com

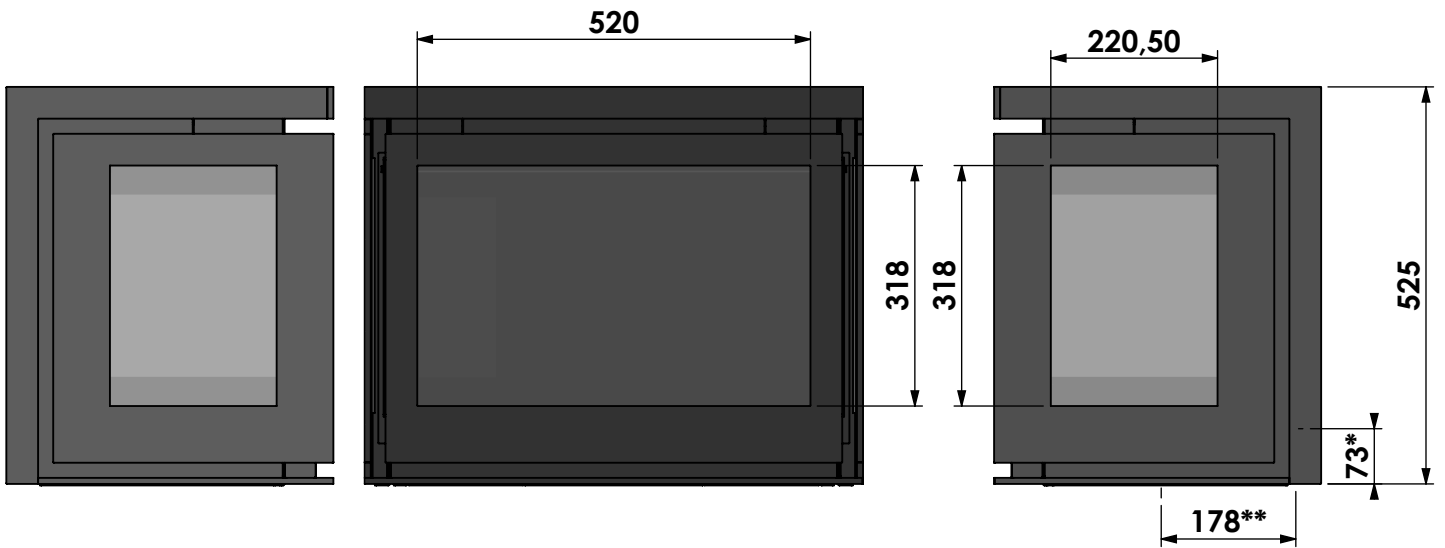
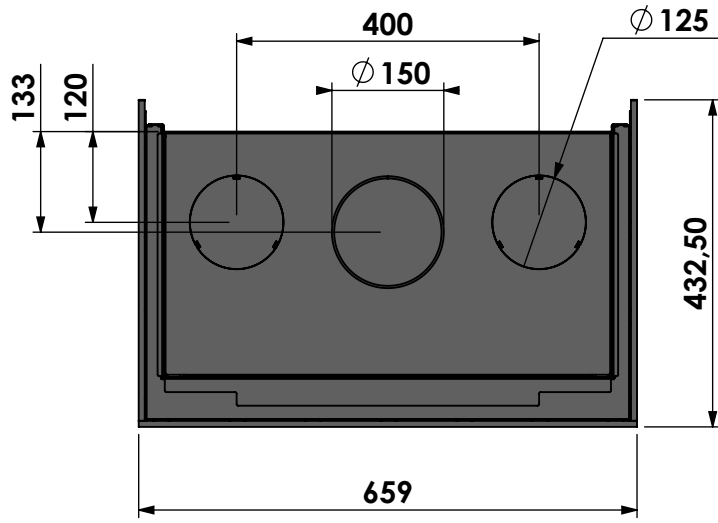
Name: **Unilux-6 265 Three sided built-in frame**

Modifications reserved



Scale: **1:10**  
 Unit: **mm**

Version: **0**



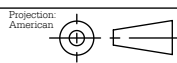
\* = Optional air inlet  $\varnothing$ 125 mm rear side  
 \*\* = Optional air inlet  $\varnothing$ 125 mm bottom side

**barbas**

Barbas Bellfires B.V.  
 Hallenstraat 17  
 5531 AB Bladel  
 The Netherlands  
 www.barbasbellfires.com

Name: **Unilux-6 265 Three sided classic frame**

Modifications reserved



Scale: **1:10**  
 Unit: **mm**

Version: **0**